



CONTACT US

Phone: 800.931.1562

Email: sales@gymsfordogs.com



PRO SERIES.

STANDARD STYLE DOG WASH TUB

Model: DL-DWPRO-60S

Quality Dog Wash Tubs for Apartments, Condos, HOAs, Campgrounds, Hotels, RV Parks, Animal Clinics, Daycares and more!

Professional grade, parallel accessible - ADA Friendly



STANDARD STYLE DOG WASH TUB



PRO SERIES

Model #: DL-DWPRO-60S

The stainless steel Pro Dog Wash Tub brings innovation to animal bathing with a number of patented features that include methods to reduce water and shampoo use, keep hair out of drains and increase safety and ergonomics for bathers and pets. The high-capacity hair catching system keeps hair out of the drain while allowing all water to drain properly (U.S. Patent 7080608). Also includes a stainless steel step-up tool, elevating bottom and mat set, quality hose fixture and bottle holder.

**ADA FRIENDLY
PARALLEL ACCESS**



Clean



Quality








Durable

Key Features

STANDARD STYLE DOG WASH TUB PRO SERIES

Model: DL-DWPRO-60S

-  14 gauge 304 Stainless Steel all-welded construction.
-  Lift-out door allows easy access without the need of ramps or stair systems.
-  The high-capacity hair catching system keeps hair out of the drain while allowing all water to drain properly (U.S. Patent 7080608)
-  Tub bottom platform & mat set for dog to stand on, which gives the dog traction and comfort and prevents slipping and sliding on wet soapy surfaces, and is helpful in keeping dogs under control
-  Choice of left or right hand plumbing.

ACCESSORY KIT INCLUDES

Stainless steel step-up stool, elevating bottom grate and mat set, quality hose fixture, and bottle holder.



Hose Fixture Step-up Stool Bottle Holder Bathing Mat



COOL DOG™ WASH TUBS

FAUCET

Wall-mounted Faucet has backflow preventer, flexible stainless steel hose and angled chrome-plated brass spray valve with automatic shutoff

Built in spring checks to prevent crossflow of water.

Hanger hook with mounting hardware included.



**ADA FRIENDLY
PARALLEL ACCESS**



FAUCET

STANDARD STYLE DOG WASH TUB PRO SERIES

Model: DL-DWPRO-60S

Our Stainless Steel Dog Wash Tub comes with an easy install wall mounted High Pre-Rinse Faucet. The Faucet comes with a host of features to make installation and use as easy as possible.

1.15 GPM FLOW RATE

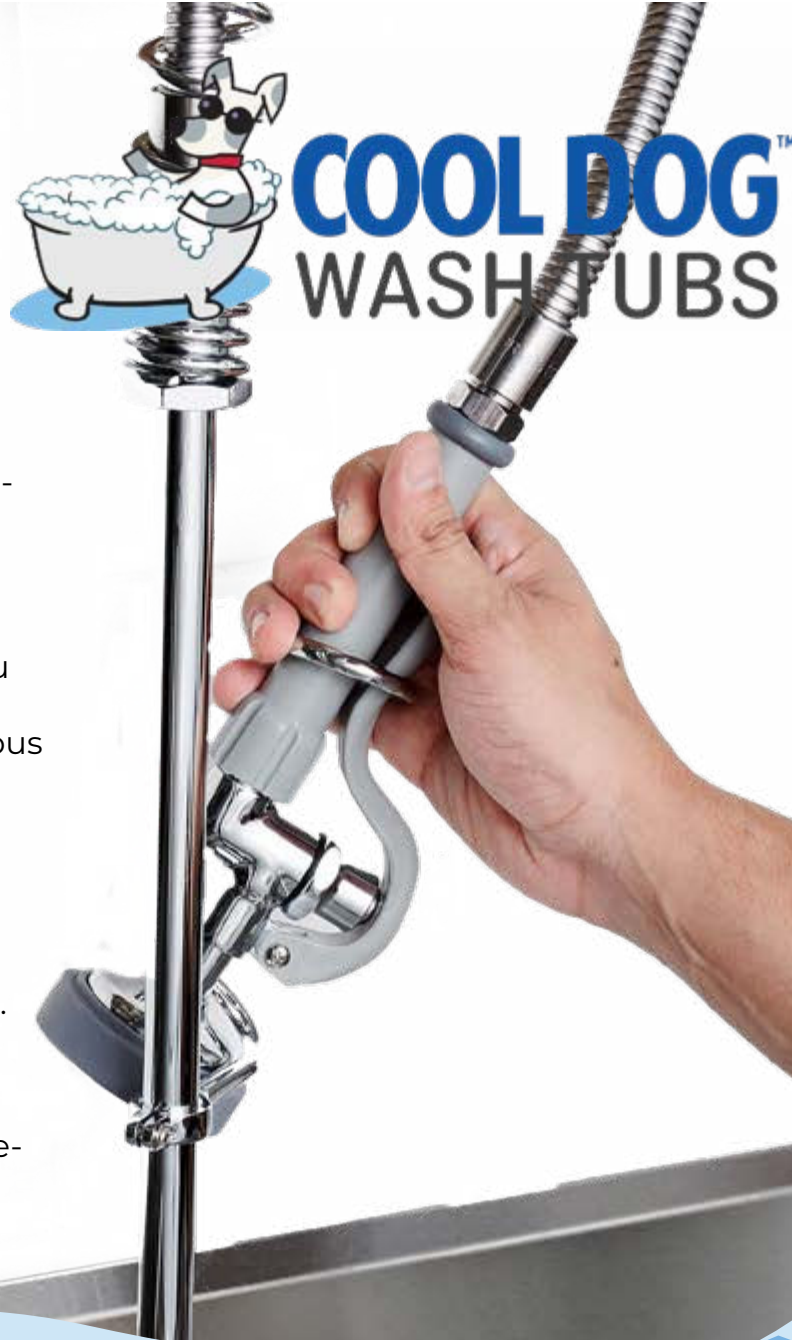
The spray valve has a 1.15 GPM flow rate which helps you conserve water and save money on your utility bill. The easy to use hold-down ring lets you lock it in a continuous spray position for as long as you need.

96" FLEX HOSE

The flexible stainless steel hose on this model provides great range of motion and lets you direct the water exactly where you need it. This spring helps it retain its shape and keeps the spray valve positioned above the sink.

ADJUSTABLE WALL MOUNT CENTERS

The faucet mounts to the wall using a pair of 1/2" NPT female inlets with 2" flanges.



FAUCET

STANDARD STYLE DOG WASH TUB PRO SERIES

Model: DL-DWPRO-60S



COOL DOG™ WASH TUBS

LEVER HANDLES, COMPRESSION CARTRIDGES

The Cool Dog™ Wash Tub faucet comes with lever handles. The cartridges feature a sprindle design that moves up and down within a removable insert, which produces less wear and tear and greater reliability when compared to similar compression-style cartridges that move up and down within the faucet body itself. Additionally, this model comes with spring checks to prevent cross flow.

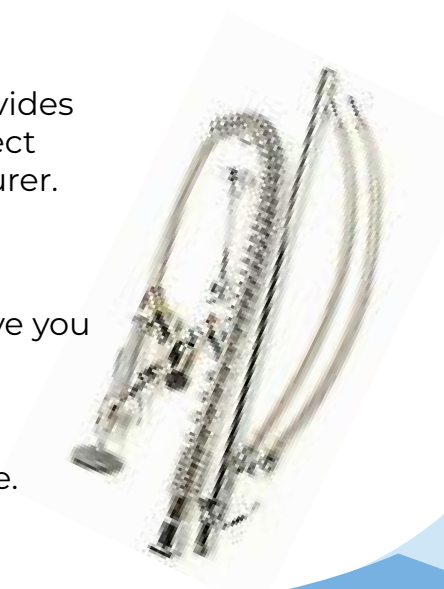


CHROME-PLATED BRASS

The chrome-plated brass construction, provides a polished look with the durability you expect from an industry-leading faucet manufacturer.

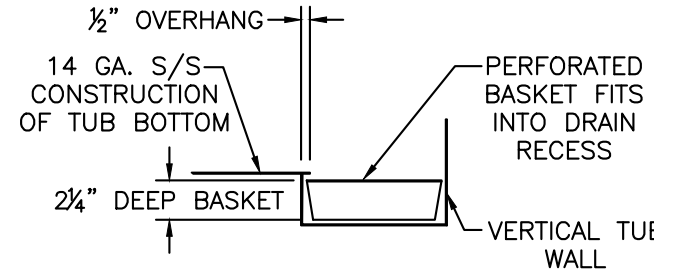
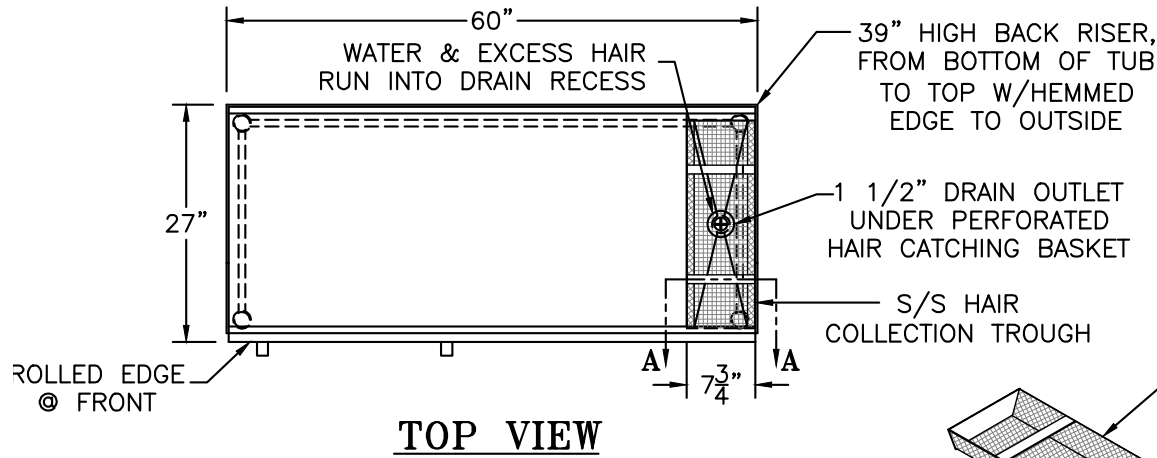
EASY-INSTALL DESIGN

This unit features innovative EasyInstall design to save you time when setting it up. The riser is designed with a lock nut and bushing that pop down into the faucet base, so that you only need to tighten the nut to secure the riser rather than threading it into the base.

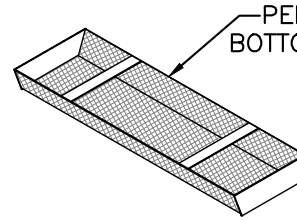


STANDARD STYLE DOG WASH TUB

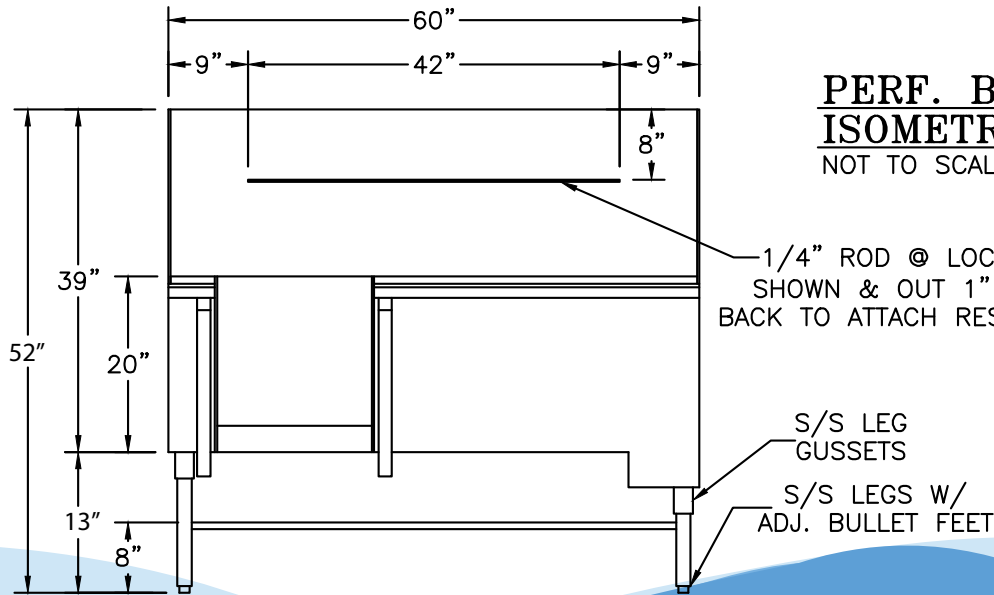
MODEL: DL-DWPRO-60S - RIGHT DRAINING SYSTEM



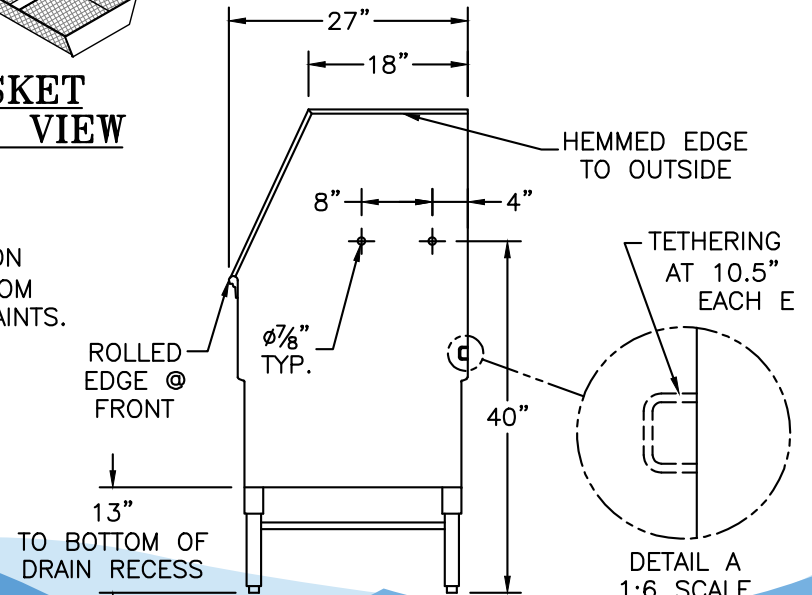
SECTION A-A
SCALE: x 2



PERF. BASKET ISOMETRIC VIEW
NOT TO SCALE



FRONT VIEW



SIDE VIEW

DISCRIPTION
60-INCH STAINLESS STEEL STEP-IN ANIMAL
BATHTUB WITH BUILT-IN HAIR CATCHING
SYSTEM - RIGHT SIDE PLUMBING

MODEL
DL-DWPRO-60S U.S. PATENT 7080608

SCALE
1/2" = 1'-0"

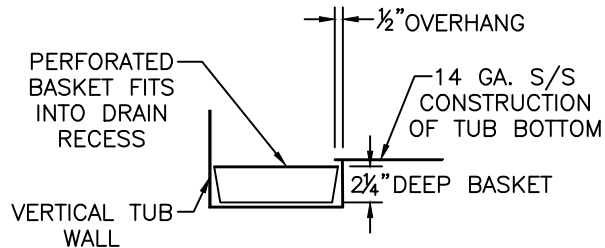
NOTE: ALL DIMENSIONS MAY VARY SLIGHTLY DUE
TO NORMAL MANUFACTURING TOLERANCES.

800.931.1562

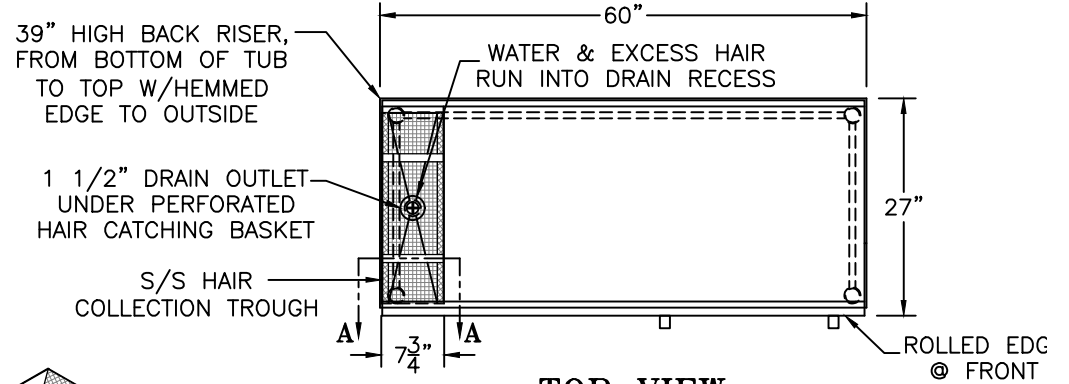
Email: Sales@GymsForDogs.com
www.CoolDogWashTubs.com

STANDARD STYLE DOG WASH TUB

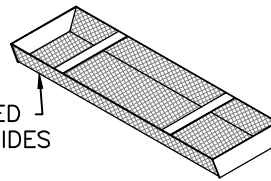
MODEL: DL-DWPRO60S - LEFT DRAINING SYSTEM



SECTION A-A
SCALE: x 2

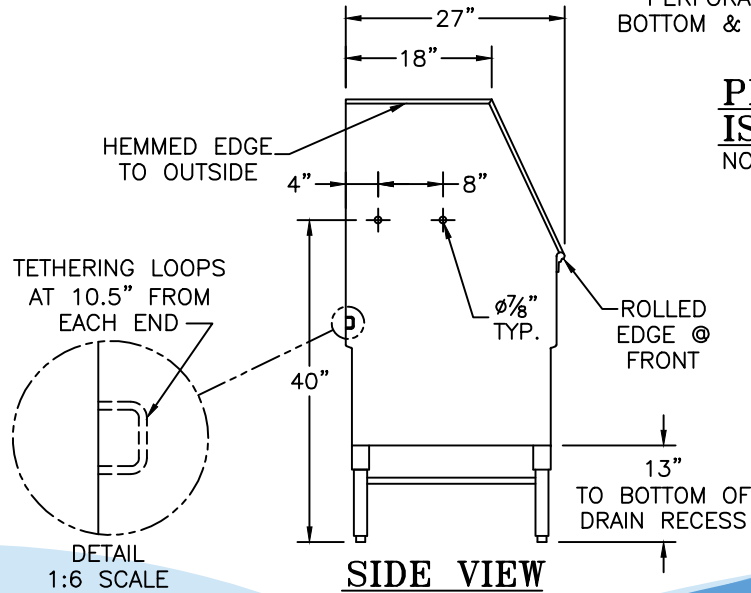


TOP VIEW

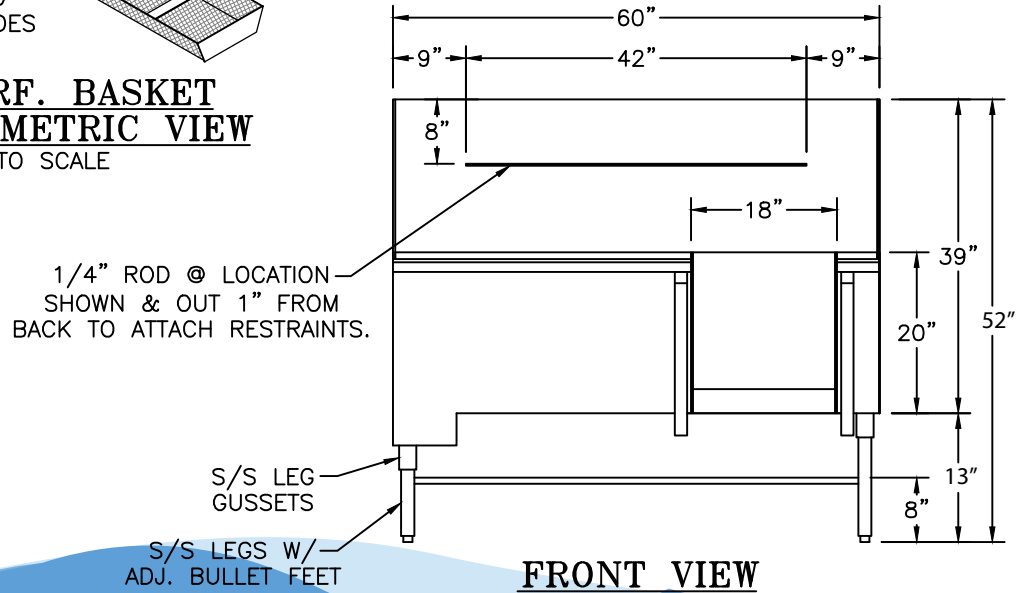


PERFORATED
BOTTOM & SIDES

**PERF. BASKET
ISOMETRIC VIEW**
NOT TO SCALE



SIDE VIEW



FRONT VIEW

DISCRPTION
60-INCH STAINLESS STEEL STEP-IN ANIMAL
BATHTUB WITH BUILT-IN HAIR CATCHING
SYSTEM - LEFT SIDE PLUMBING

MODEL
DL-DWPRO-60S U.S. PATENT 7080608

SCALE
1/2" = 1'-0"

NOTE: ALL DIMENSIONS MAY VARY SLIGHTLY DUE
TO NORMAL MANUFACTURING TOLERANCES.

800.931.1562

Email: Sales@GymsForDogs.com
www.CoolDogWashTubs.com

STAINLESS STEEL DOG WASH TUB

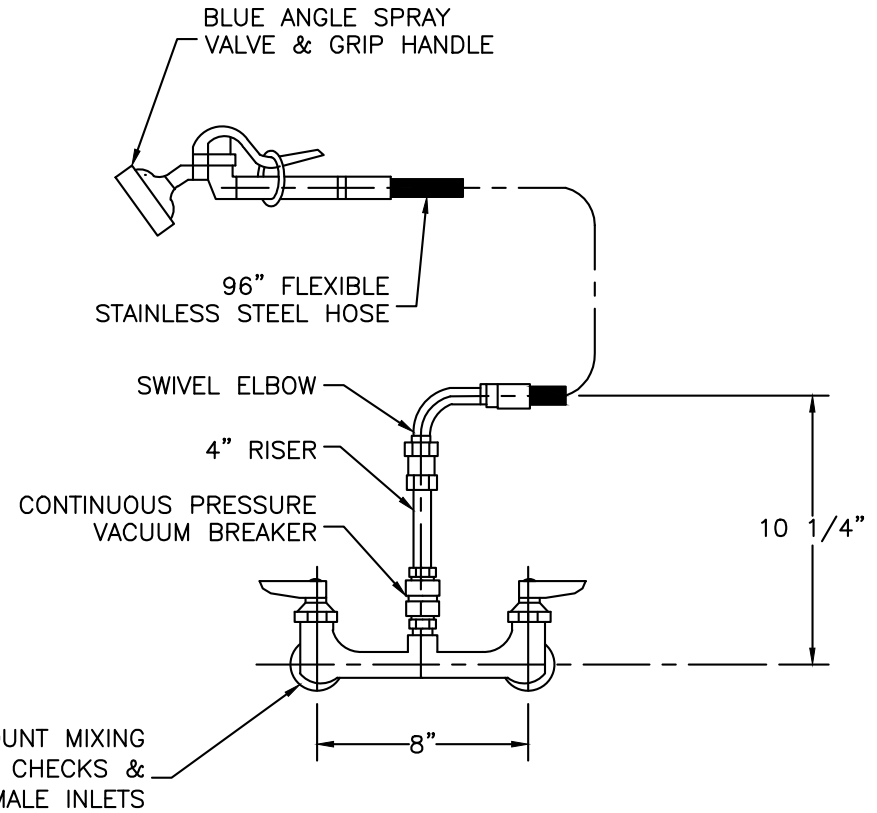
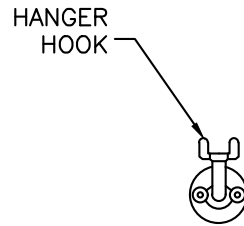
Model: DL-DWPRO-60S - FAUCET INSTALLATION

PRODUCT DESCRIPTION:

Pre-Rinse Unit: EasyInstall 8" Wall Mount Mixing Faucet, Quarter-Turn Eterna Cartridges w/ Spring Checks, Lever Handles, 96" Flexible Stainless Steel Hose, 1.42 GPM Spray Valve & 1/2" NPT Female Inlets.

PRODUCT COMPLIANCE:

ASME A112.18.1 / CSA B125.1
NSF 61 - SECTION 9
NSF 372 (LOW LEAD CONTENT)
EPA Act 2005 (PRSV)



NOTE: ALL DIMENSIONS MAY VARY SLIGHTLY DUE TO NORMAL MANUFACTURING TOLERANCES.

800.931.1562
Email: Sales@GymsForDogs.com
www.CoolDogWashTubs.com



Warranty

STANDARD STYLE DOG WASH TUB PRO SERIES



COOL DOG™ WASH TUBS

Cool Dog™ Wash Tubs are warranted to be free of defects in materials and workmanship for a period of ONE YEAR from purchase date. This warranty applies to all features and components of the metal structure. Nitrile rubber insert pads (if included) are considered to be wearout components and not covered by this warranty.

Whenever a Cool Dog™ Wash Tub requires repair or replacement under the terms of this warranty, it must be shipped prepaid to the manufacturer.

The Manufacturer will, at its discretion, repair or replace any wash tub requiring service under terms of this warranty at no charge to the owner of the bathtub. This warranty applies only to the original purchaser of the wash tub. It cannot be transferred to a secondary party.

Damage caused by misuse or mishandling of the product will not be covered under terms of the warranty. Terms of the warranty are subject to change at any time without notice.

Any inquiries regarding the warranty for Cool Dog™ Wash Tubs (including any built-in components) should be directed to Cool Dog™ Wash Tubs.

