



**COOL DOG™**  
WASH TUBS.COM

**CONTACT US**

800-931-1562

sales@gymsfordogs.com

# ARCHITECTURAL SERIES.



**REAR ENTRANCE - DL-DWT-REN-ARC**  
**FRONT ENTRANCE - DL-DWT-FEN-ARC**

The Cool Dog™ Architectural Series Dog wash tubs are functional, durable and absolutely beautiful. Choose from three options, the freestanding in line entry, left side entrance or right side entry. Each tub is finished with the most durable industrial coatings on the marketplace. Offering six attractive colors and coatings that withstand the wear and tear of daily use. ADA friendly.



# WASHTUB VALVE

## DOG WASH VALVE

- Maintains a balanced pressure of hot and cold water even when a valve is turned on or off elsewhere in the system
- For use with MultiChoice® Universal rough valve body (R10000 Series): *not included*
- Back-to-back installation capability
- Temperature only controlled with handle rotating a maximum of 120° from full cold to the full hot
- Cartridge utilizes integral check valve to prevent the cross flow of water within the valve
- Shower head maximum flow rate 1.5 gpm @ 80 psi 5.7 L/min @ 550 kPa
- Easy-turn 3-spray setting shower head
- Slip-on tub spout

## WARRANTY

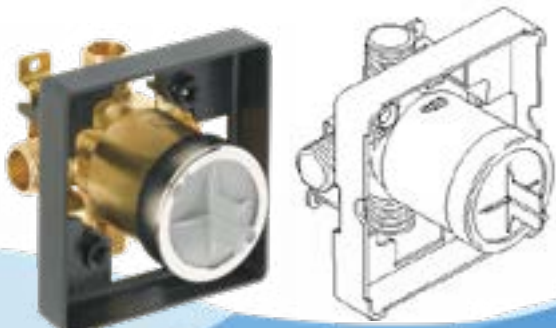
- Lifetime limited warranty on parts (other than electronic parts and batteries) and finishes: or, for commercial user, for 5 years from the date of purchase.
- 5 year limited warranty on electronic parts (other than batteries); or for commercial users, for 1 year from the date of purchase. No warranty is provided on batteries.

## COMPLIES WITH

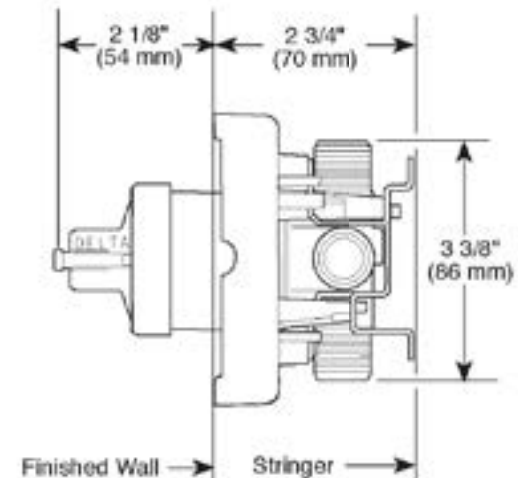
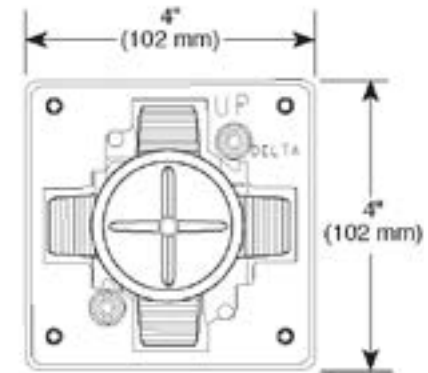
- ASME A112.18.1 / CSA B125.1

## NOTE

Approximate height and depth for hot and cold hookup is 14" from back wall and 35" above ground



- R10000-UN (Universal Inlets/Outlets)
- R10000-UNBX (Universal Single Box Model)
- R10000-UNBXT (Thin Wall)



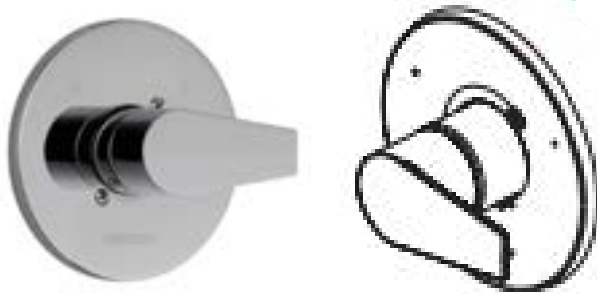
# VALVE CONTROLLER LEVER

## DOG WASH VALVE CONTROLLER LEVER

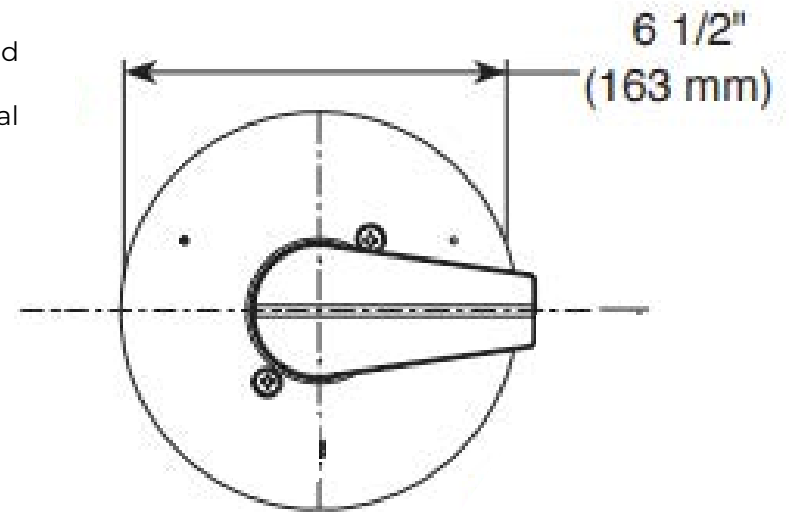
- Maintains a balanced pressure of hot and cold water even when a valve is turned on or off elsewhere in the system
- For use with MultiChoice® Universal rough valve body (R10000 Series): not included
- Back-to-back installation capability
- Temperature only controlled with handle rotating a maximum of 120° from full cold to the full hot
- Cartridge utilizes integral check valve to prevent the cross flow of water within the valve
- Shower head maximum flow rate 1.5 gpm @ 80 psi 5.7 L/min @ 550 kPa
- Easy-turn 3-spray setting shower head
- Slip-on tub spout

## WARRANTY

- Lifetime limited warranty on parts (other than electronic parts and batteries) and finishes: or, for commercial user, for 5 years from the date of purchase.
- 5 year limited warranty on electronic parts (other than batteries); or for commercial users, for 1 year from the date of purchase. No warranty is provided on batteries.



■ Valve Only (PTT14019▲)



# HAIR CATCHING DRAIN

## TUB DRAIN ASSEMBLY

- Dog Wash Tub Strainer and Stopper with Deep Removable Waste Basket with Drain Assembly
- 3-1/2-inch Drain Opening Size
- Black Color
- Premium-grade 304 Stainless Steel, protected against rust and corrosion
- 1 1/2" connection point to drain line needed (drain line to be supplied by plumber)





# HOSE KIT AND SPRAYER FAUCET

## DOG WASH HANDHELD SHOWER HEAD WITH HOSE

- Easy to Install, Tools Free Installation
- Built-in High Pressure Wash to Clean Tub and Pets
- Extra Long 6'5. Stainless Steel Hose, Round Head
- Premium Matte Black Premium ABS, Stainless Steel
- Premium Matte Black Finish
- Advanced 8-speed 5-zone power head
- 4.5-inch large face provides a large amount of coverage and more uniform spraying.
- With a unique internal structure and air intake technology, the high-pressure shower head can provide a powerful water flow even under low water flow and low pressure.
- Lightweight, durable, rust-proof, and fade-proof

